

Angular Contact Ball Bearings

Bearing No. : **NACHI 7216CDF**

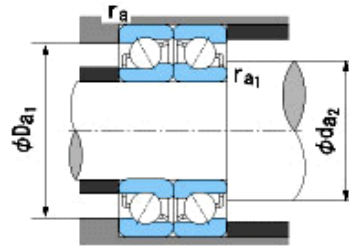
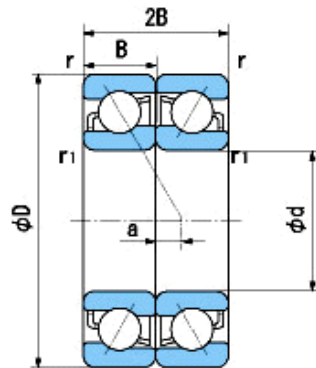
■ Bearing Type

■ Clearance

■ Tolerance Class

Dimensions

d = 80 0
-0.015
D = 140 0
-0.018
B = 26 0
0.000
r = 2~3
(Radial Direction)
r = 2~4.5
(Axial Direction)
r1 = 1~1.9
(Radial Direction)
r1 = 1~3
(Axial Direction)
a = -0.3



Dimensions

da1(min) = 90
da2(min) = 90
Da1(max) = 130
Da2(max) = 134
ra(max) = 2
ra1(max) = 1
Mass = 3 kg

Basic Dynamic Load Rating Cr : **152,000** N
Basic Static Load Rating Cor : **156,000** N
Limiting Speed ;
Grease Lubrication : **5,800** min⁻¹
Oil Lubrication : **8,000** min⁻¹

	INNER RING	OUTER RING
O.D.Surface Runout with Side :		-
Axial Runout with Bore :	-	-
Axial Runout with Raceway :	-	-
Width Variation :	0.025	0.025
Radial Runout :	0.020	0.040